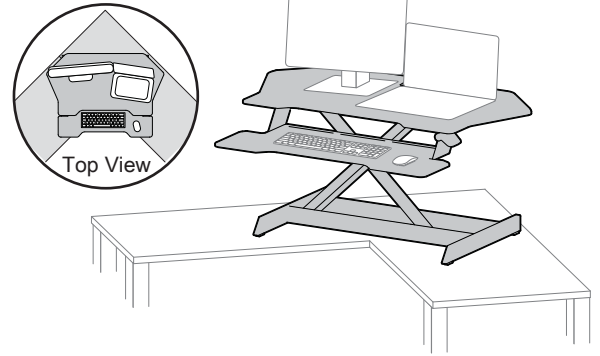
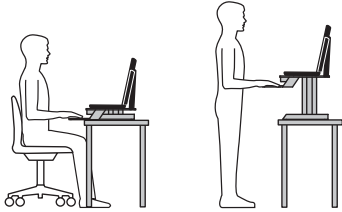
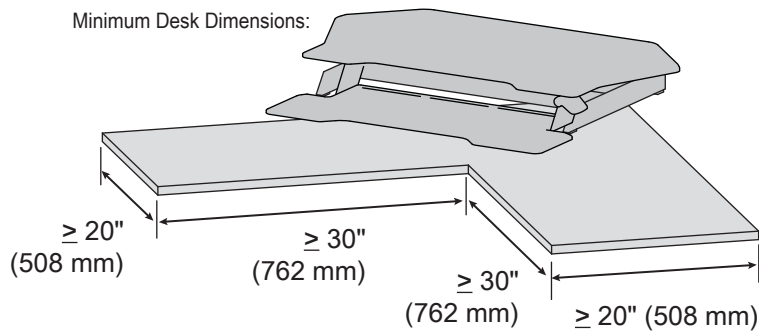


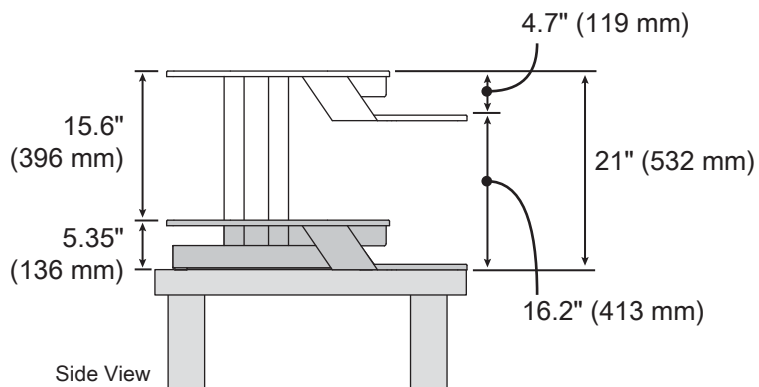
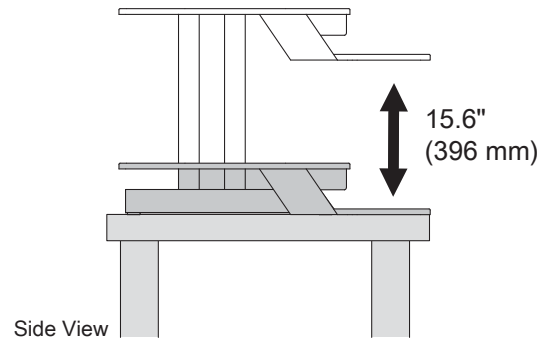
WorkFit™ Corner Standing Desk Converter



DIMENSIONS



RANGE OF MOTION



© 2018 Ergotron, Inc. rev. 09/04/2018 DIM-WFCorner **Content is subject to change without notification**

Americas Sales and Corporate Headquarter

St. Paul, MN USA
 (800) 888-8458
 +1-651-681-7600
 www.ergotron.com
 sales@ergotron.com

EMEA Sale

Amersfoort, The Netherlands
 +31 33 45 45 600
 www.ergotron.com
 info.eu@ergotron.com

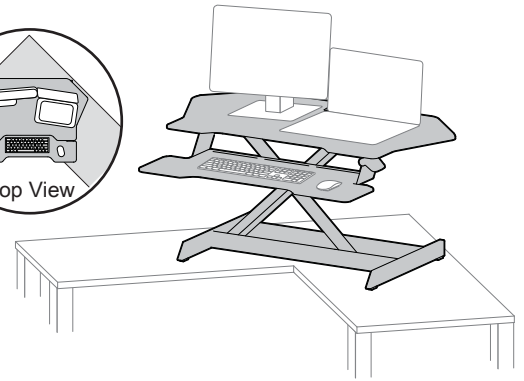
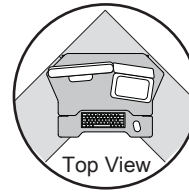
APAC Sale

Tokyo, Japan
 www.ergotron.com
 japansupport@ergotron.com

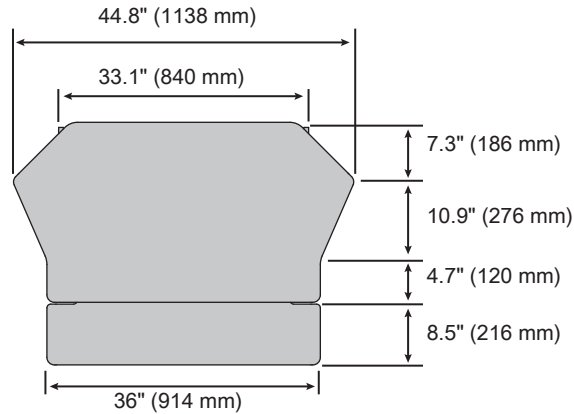
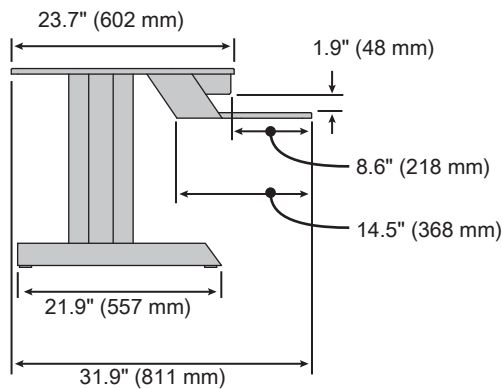
Worldwide OEM Sales

www.ergotron.com
 info.oem@ergotron.com

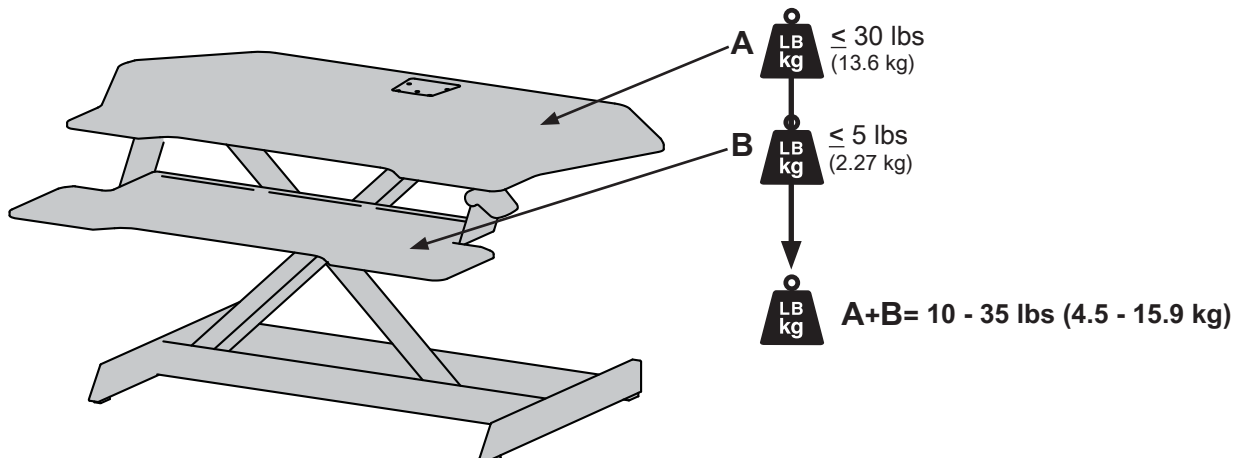
WorkFit™ Corner Standing Desk Converter



DIMENSIONS



WEIGHT CAPACITY



© 2018 Ergotron, Inc. rev. 09/04/2018 DIM-WFCorner Content is subject to change without notification

Americas Sales and Corporate Headquarter

St. Paul, MN USA
(800) 888-8458
+1-651-681-7600
www.ergotron.com
sales@ergotron.com

EMEA Sale

Amersfoort, The Netherlands
+31 33 45 45 600
www.ergotron.com
info.eu@ergotron.com

APAC Sale

Tokyo, Japan
www.ergotron.com
japansupport@ergotron.com

Worldwide OEM Sales

www.ergotron.com
info.oem@ergotron.com