

Assembly Instructions: Rapid Screens

Tools Required:

Flathead Screwdriver, Phillips head Screwdriver, Electric Drill, Pencil, Measuring tape/Ruler, Spirit Or Laser Level *Tools are not included.

Skill Required:

Easy  Hard

The Assembly Skill Rating is a 5-point system that shows the degree of effort needed in assembling a specific product. With 1 being easy for the average person and 5 requiring an expert.

For most products, two persons are recommended.

Please note, as this is a commercial product, some intermediate skills are required.

*No pre-drill holes or markings are provided on tops.

Time Required:

15+ minutes depending on layout

Special Notes:

Rapid Screens can be built in a large range of different layouts. These assembly instructions are generic and show how the components come together only.

NOTE

- Please check you have all hardware before assembling.
- If you are missing any hardware, please contact your Rapidline reseller. Please ensure you have the name of the item, required hardware part and quantity.
 - Please retain your receipt as proof of purchase to validate your warranty.
- Assemble on a clean, flat, smooth surface such as a rug or carpet to avoid parts from being scratched.
 - Remove all wrapping materials, including staples and packing straps before you start to assemble
 - Keep all hardware parts out of reach of children.

CAUTION

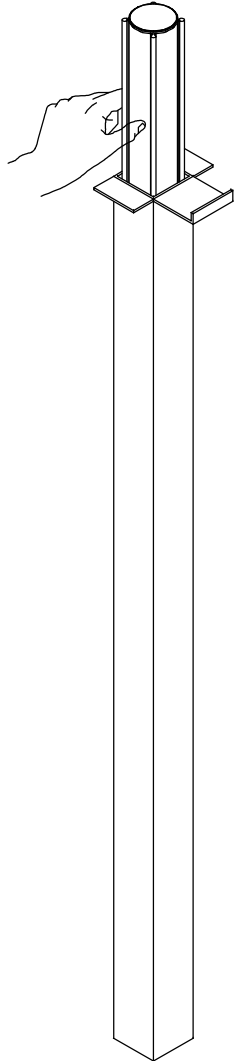
- Heavy product. Do not attempt to lift or move without help
- Do not tighten screws and bolts until completely assembled.
- Do not use this product unless all bolts and screws are firmly secured and tightened.

WARNING

- If parts are missing, broken, damaged or worn stop using the product until all repairs are made.
 - Failure to follow these warnings could result in serious injury.

RAPID SCREEN POLE (both heights) ASSEMBLY INSTRUCTIONS

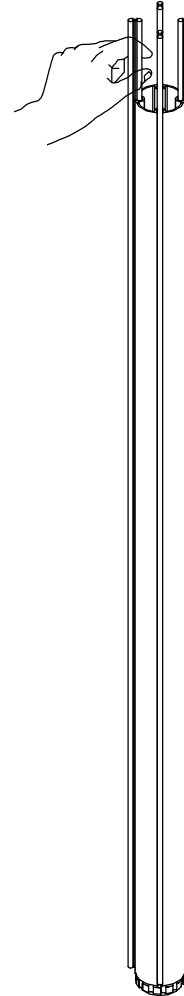
Step 1 Remove the pole from the box



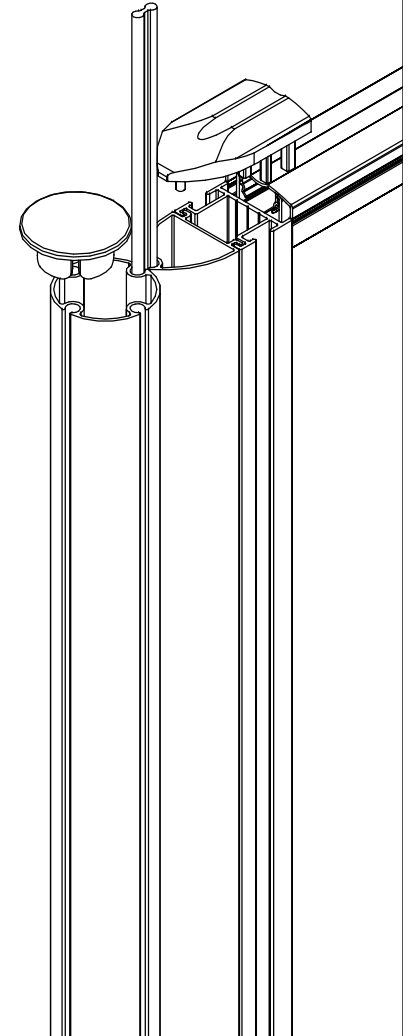
Step 2 Remove the cap from pole using a flat screwdriver



Step 3 Remove connectors from pole

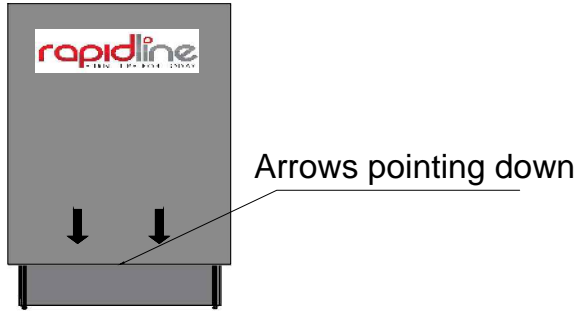


Step 4 Once required number of screens are attached, replace cap.

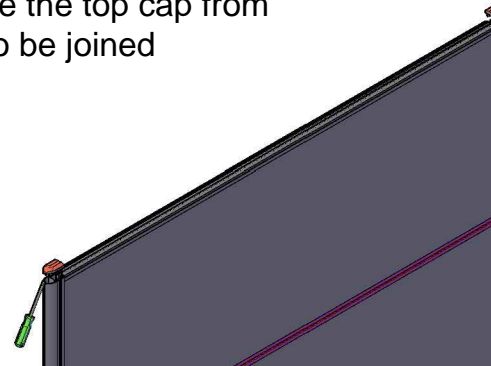


Rapid Screen (all sizes) Assembly Instructions

1: Remove the screen from the carton



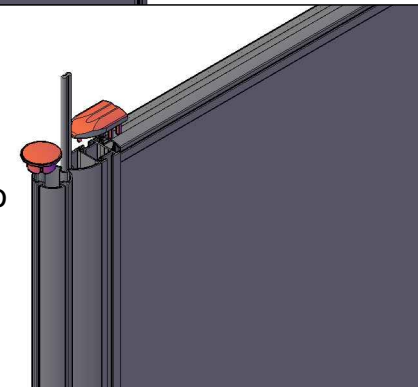
2: Remove the top cap from the side to be joined



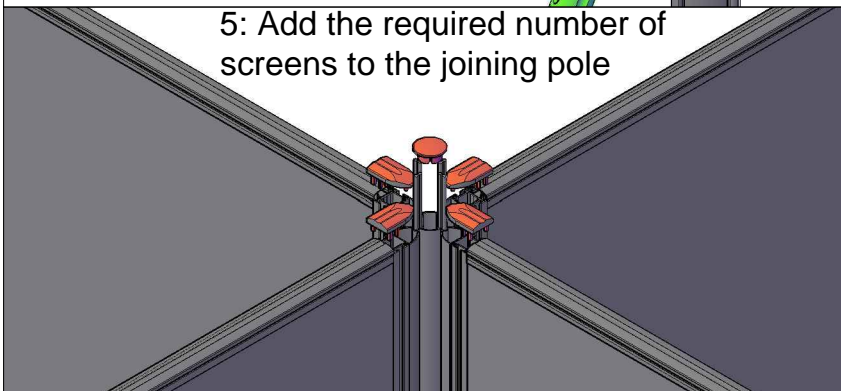
3: Remove the joining pole top cap, and joining strips from pole



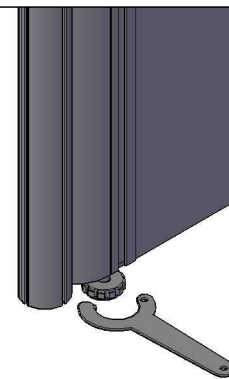
4: Align pole and screenjoining grooves and insert aluminium joining strips. Be sure to ensure that both pole and screen are aligned down their entire length to ensure easy entry of the joining strip, it should not need to be forced and should insert easily with a small shake of the screen.



5: Add the required number of screens to the joining pole

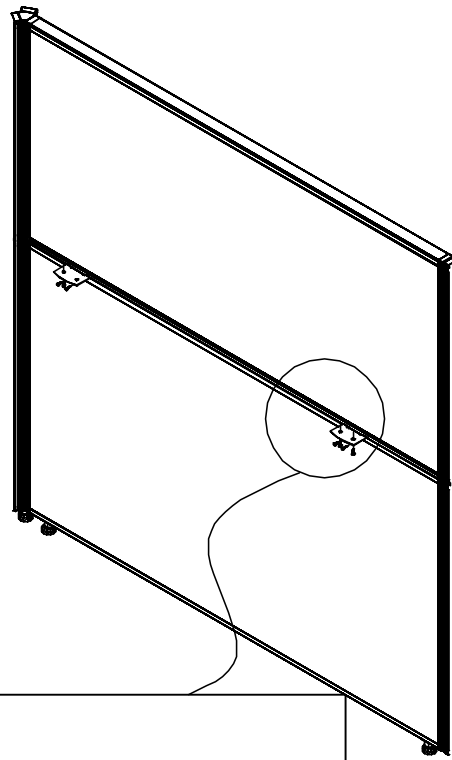
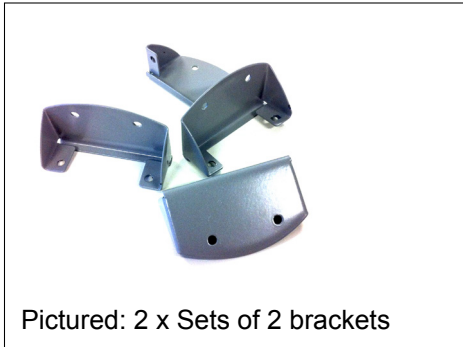


6: Replace the top caps to both the screen and pole, and adjust finished screen height using the supplied foot adjusting spanner.



Assembly Instructions

SCDESK BRACKETS

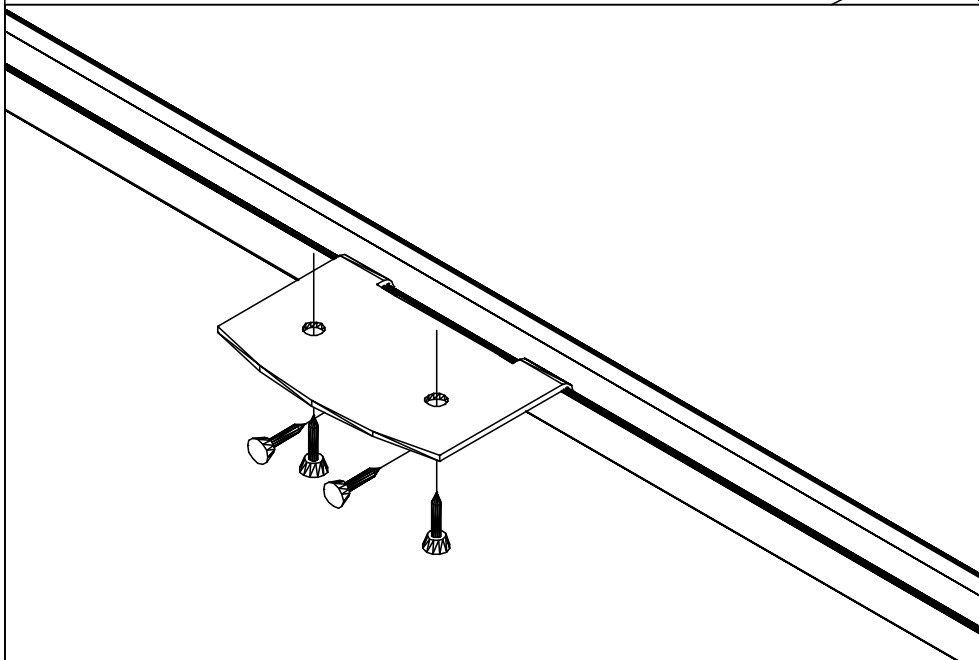
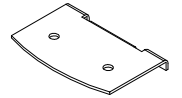


Comes with:

Screw 4x16



Fixing Plate
Set of 2

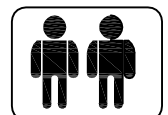


1. Use 2 x provided screws to attach the plate to the screen
2. Use 2 x provided screws to attach the top to the plate

rapidline
FURNITURE FOR TODAY

IMPORTANT NOTE:

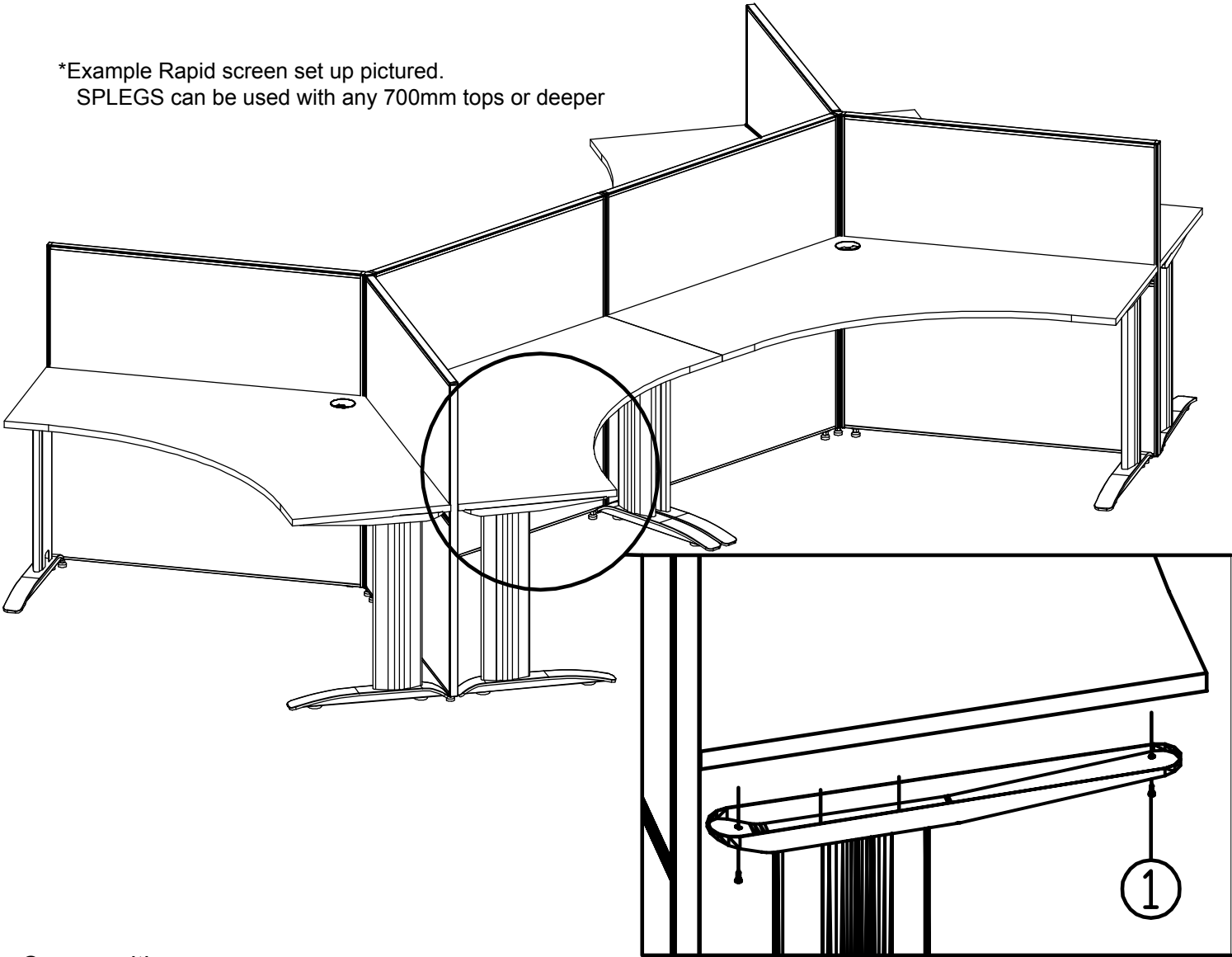
- Place all laminated parts on a clean and smooth surface such as a rug or carpet to avoid the parts from being scratched.
- Check to be sure that you have all parts and hardware.
- Remove all wrapping materials, including staples & packing straps before you start to assemble.
- Don't tighten all screws/bolts until all completely assembled.
Keep all hardware parts out of reach of children



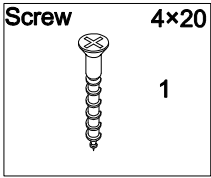
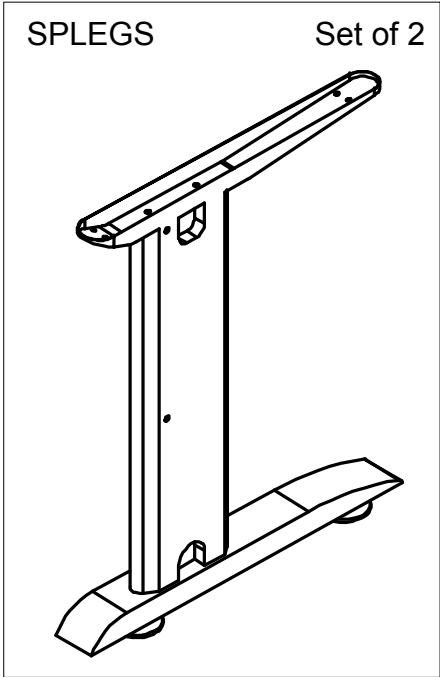
Assembly Instructions

SPLEGS - leg option

*Example Rapid screen set up pictured.
 SPLEGS can be used with any 700mm tops or deeper

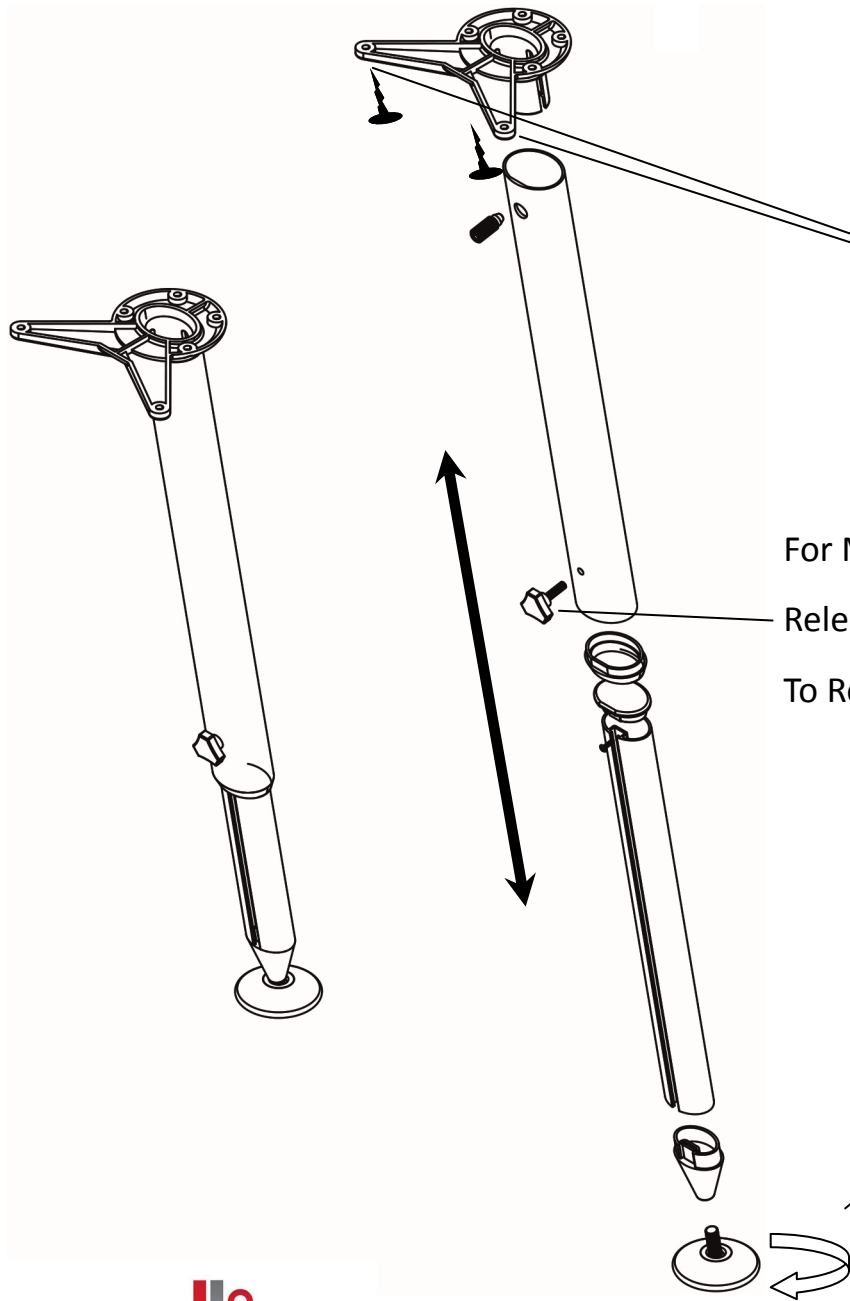


Comes with:



- 0. *OPTIONAL STEP : Place table top upside down on a soft surface such as carpet or a rug. Place leg upside down on top in desired location, and using a pencil mark the locations of the screw holes. Do this for both sides. Create pre-drill holes using an electric drill.
- *NOTE: Make sure the side of the leg with 2 holes is facing in.
- 1. Use the 4 x screws provided to attach legs to top

ADLEG leg option - Adjustable Height Desking Leg Silver Grey / White



For Timber Top Fitment

8G x 20 Timber Screw (4pcs)

For Major Height Adjustment

Release Locking Screw and Extend or Contract Leg

To Reach Desired Length

For Micro Height Adjustment

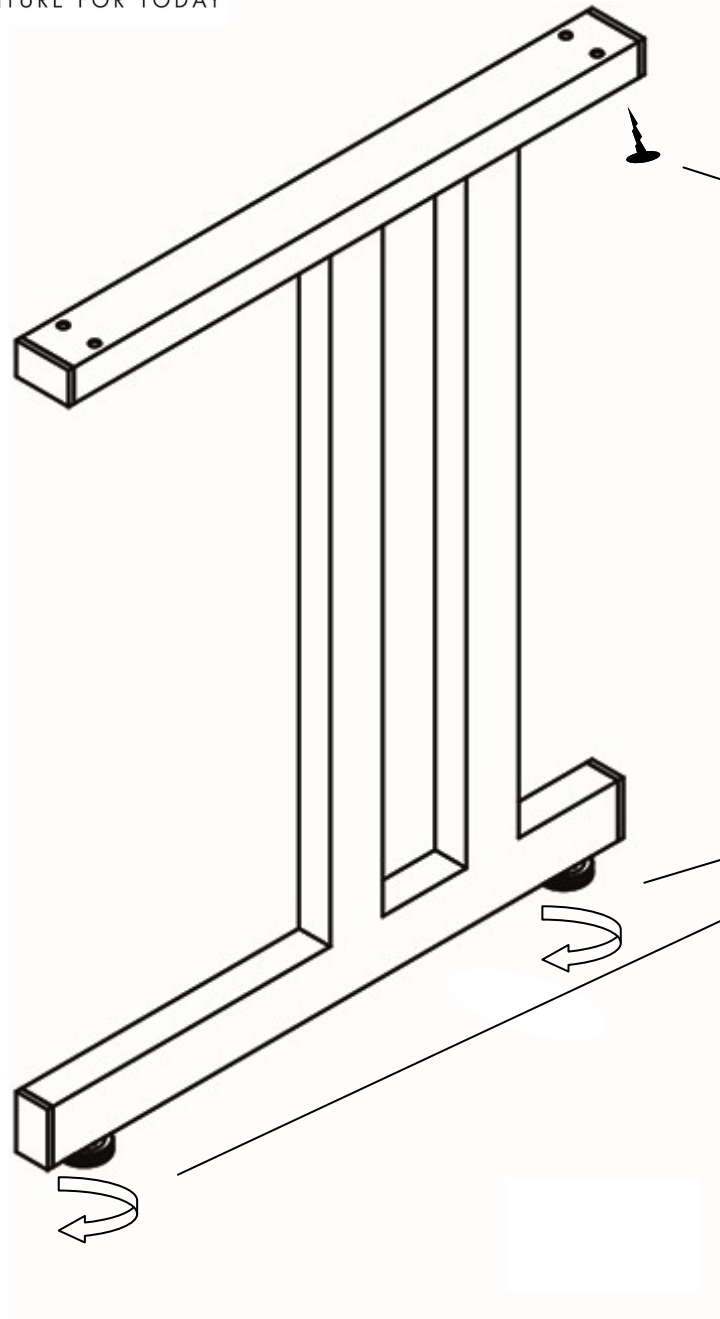
Rotate Leg Base Screw

0. *OPTIONAL STEP : Place table top upside down on a soft surface such as carpet or a rug.

Place leg upside down on top in desired location, and using a pencil mark the locations of the screw holes. Do this for all sides. Create pre-drill holes using an electric drill.

*NOTE: Make sure the side of the leg with 2 holes is facing in.

1. Use the screws provided to attach legs to top



CLEG - Desk Leg option

For Timber Top Fitment

8G x 30 Timber Screw (8pcs)

For Height Adjustment

Rotate Leg Base Screw

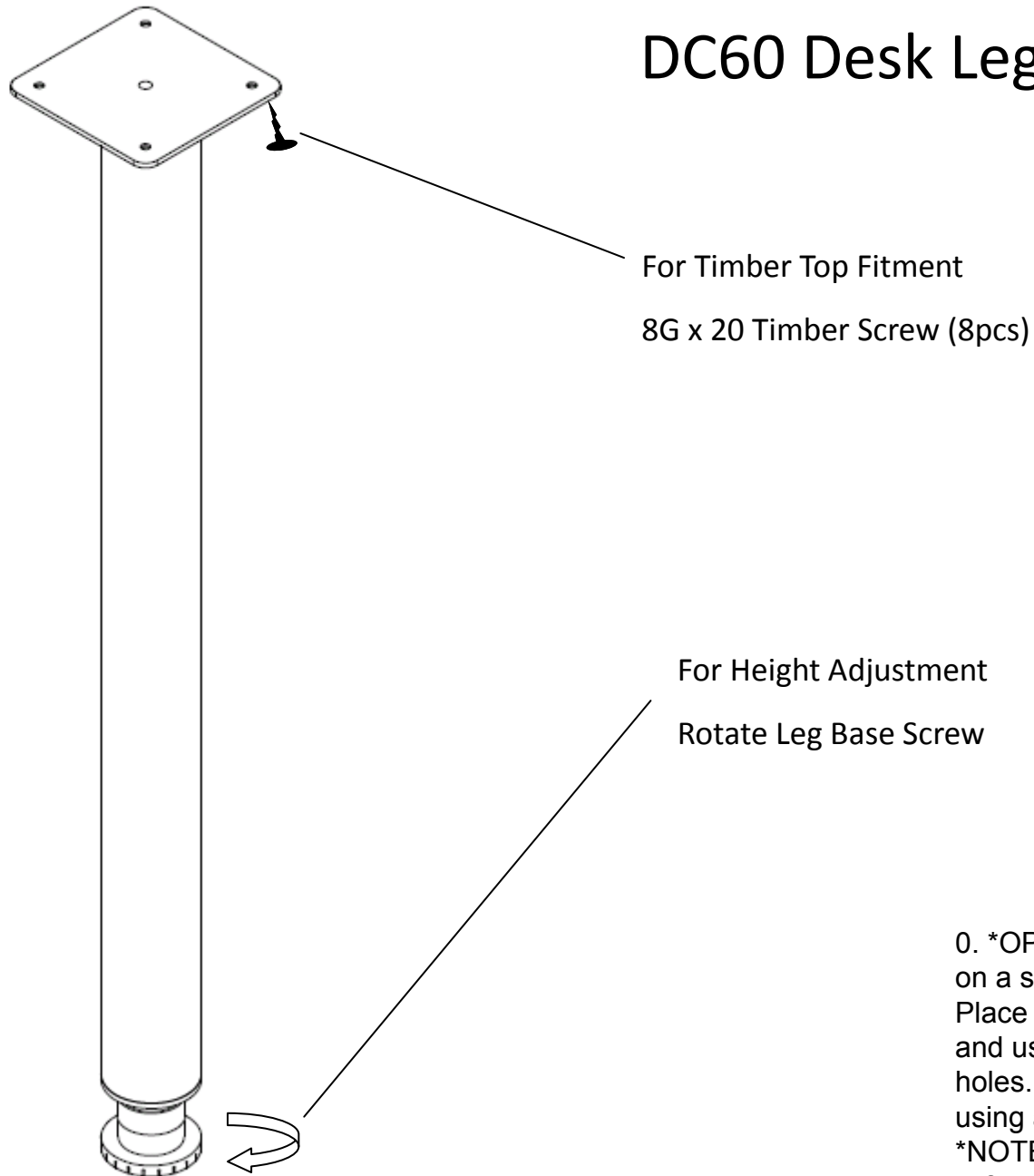
0. *OPTIONAL STEP : Place table top upside down on a soft surface such as carpet or a rug.

Place leg upside down on top in desired location, and using a pencil mark the locations of the screw holes. Do this for all sides. Create pre-drill holes using an electric drill.

*NOTE: Make sure the side of the leg with 2 holes is facing in.

1. Use the screws provided to attach legs to top

DC60 Desk Leg option



0. *OPTIONAL STEP : Place table top upside down on a soft surface such as carpet or a rug. Place leg upside down on top in desired location, and using a pencil mark the locations of the screw holes. Do this for all sides. Create pre-drill holes using an electric drill.

*NOTE: Make sure the side of the leg with 2 holes is facing in.

1. Use the screws provided to attach legs to top