

ASSEMBLY INSTRUCTIONS:

Product Code : CDK96 / CDK126 / CDK1575 / CDK189 /
CDK1875 (Worker Range only)

Product Name: Rapid Vibe & Worker Corner Desks

TIME REQUIRED:

20 minutes

TOOLS REQUIRED:

Screwdriver, Electric Drill, Pencil, Measuring tape/Ruler

*Tools are not included.

SKILL REQUIRED:

Easy ●●●○○ Hard

The Assembly Skill Rating is a 5-point system that shows the degree of effort needed in assembling a specific product. With 1 being easy for the average person and 5 requiring an expert. For most products, two persons are recommended.

Please note, as this is a commercial product, some intermediate skills are required.

*No pre-drill holes or markings are provided on tops.

NOTE

- As this is a commercial product, some intermediate skills may be required.
 - No pre-drill holes or markings are provided on our table or desk tops.
 - Please check you have all hardware before assembling.
- If you are missing any hardware, please contact your Rapidline reseller. Please ensure you have the name of the item, required hardware part and quantity.
 - Please retain your receipt as proof of purchase to validate your warranty.
- Assemble on a clean, flat, smooth surface such as a rug or carpet to avoid parts from being scratched.
 - Remove all wrapping materials, including staples and packing straps before you start to assemble
 - Keep all hardware parts out of reach of children.

CAUTION

- Heavy product. Do not attempt to lift or move without help
- Do not tighten screws and bolts until completely assembled.
- Do not use this product unless all bolts and screws are firmly secured and tightened.

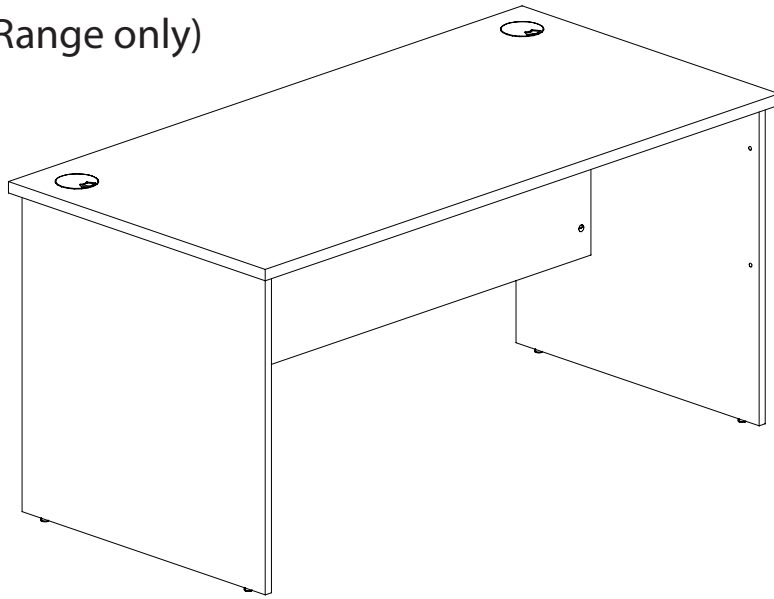
WARNING

- If parts are missing, broken, damaged or worn stop using the product until all repairs are made.
 - Failure to follow these warnings could result in serious injury.

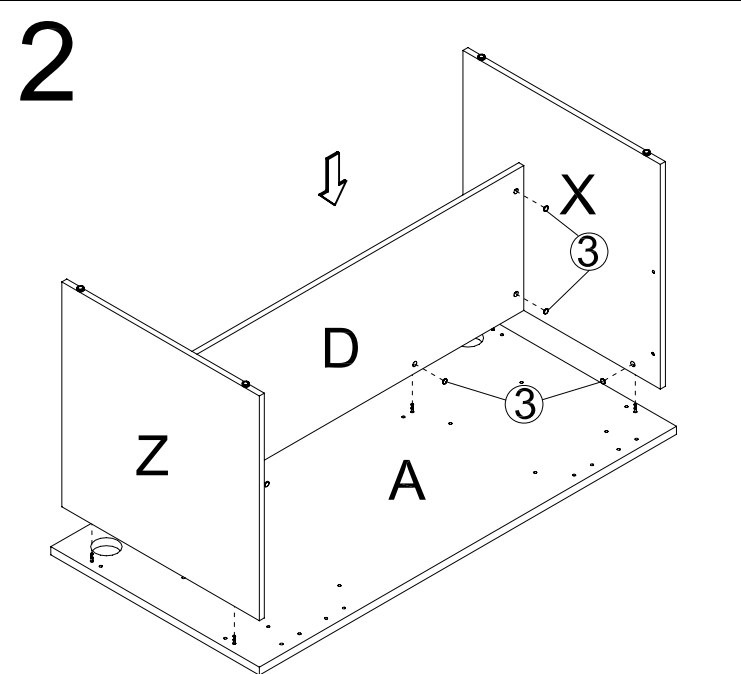
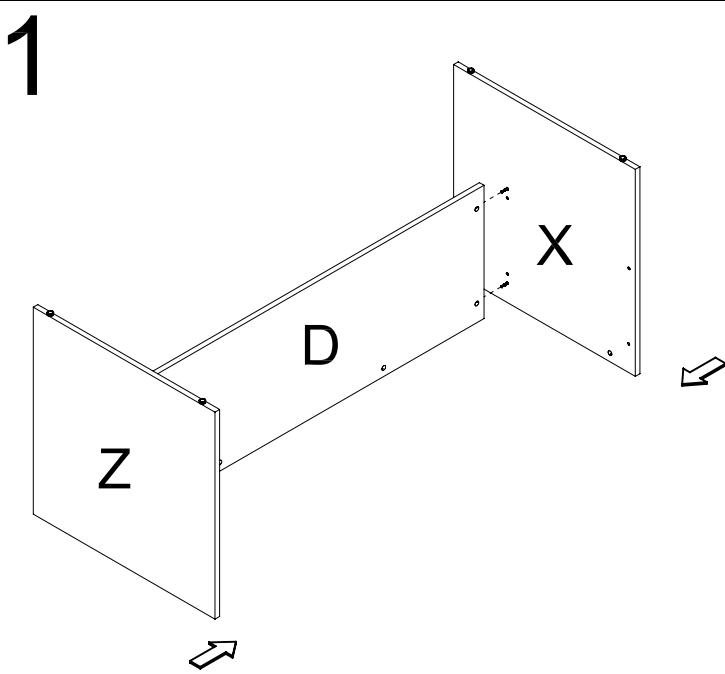
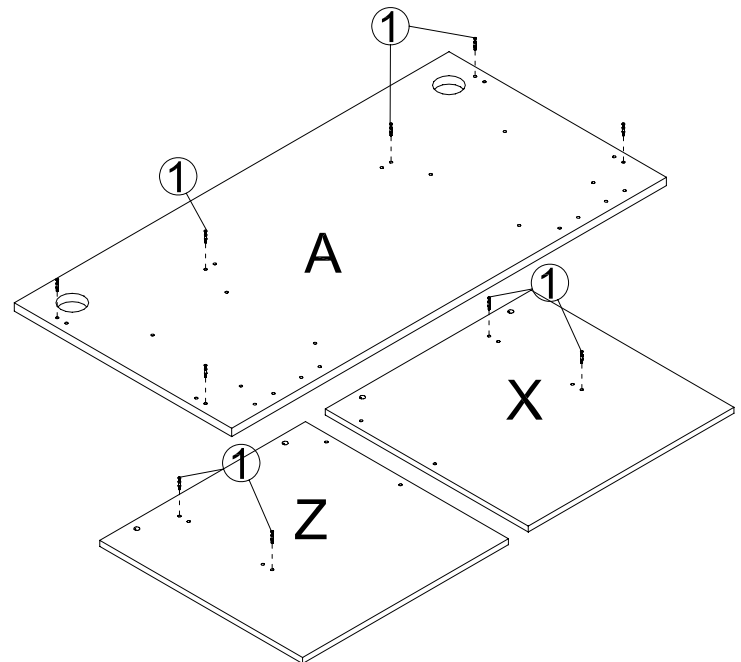
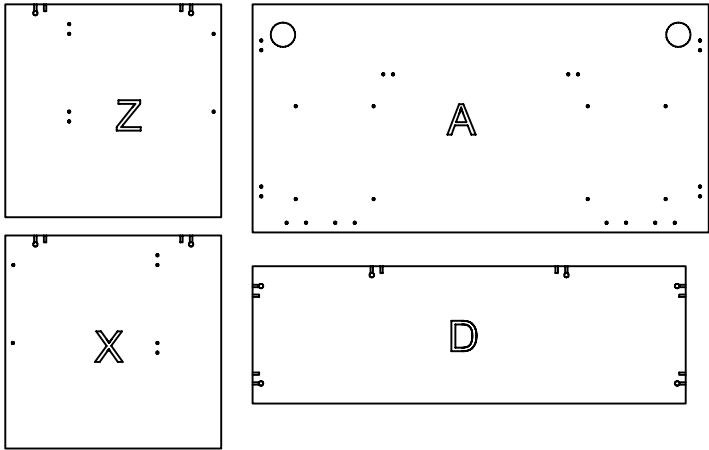
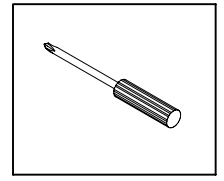
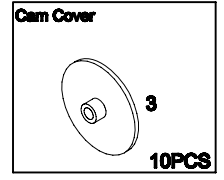
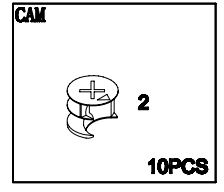
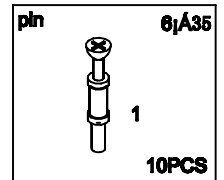
ASSEMBLY INSTRUCTIONS

CDK1575

CDK1875(Worker Range only)



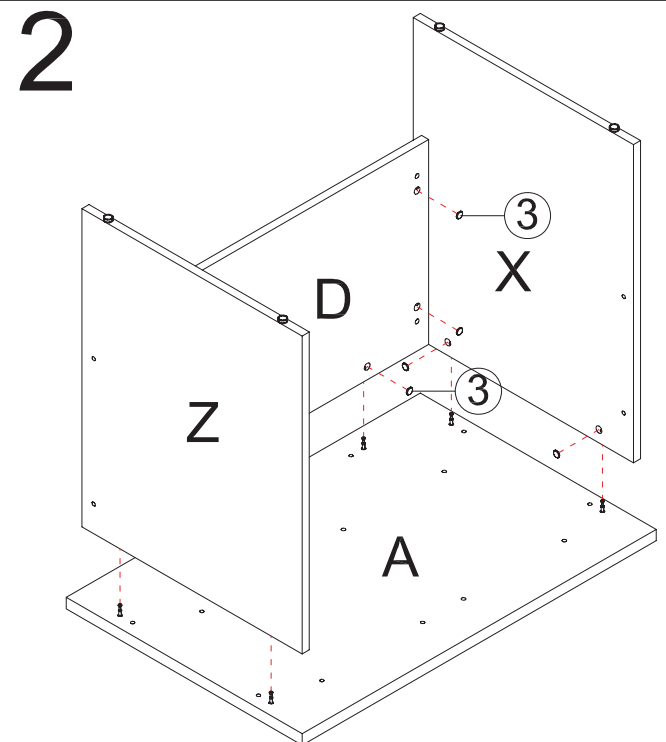
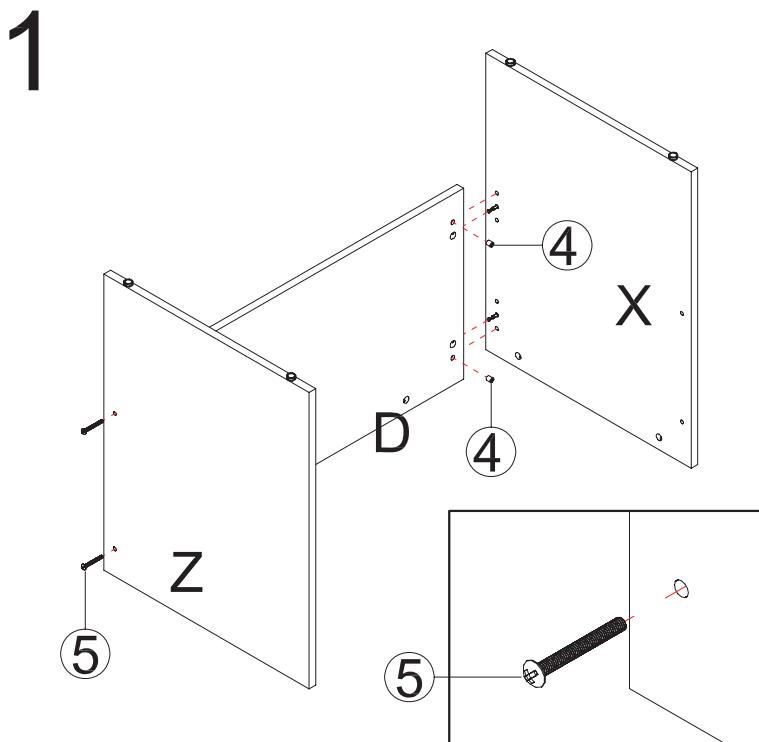
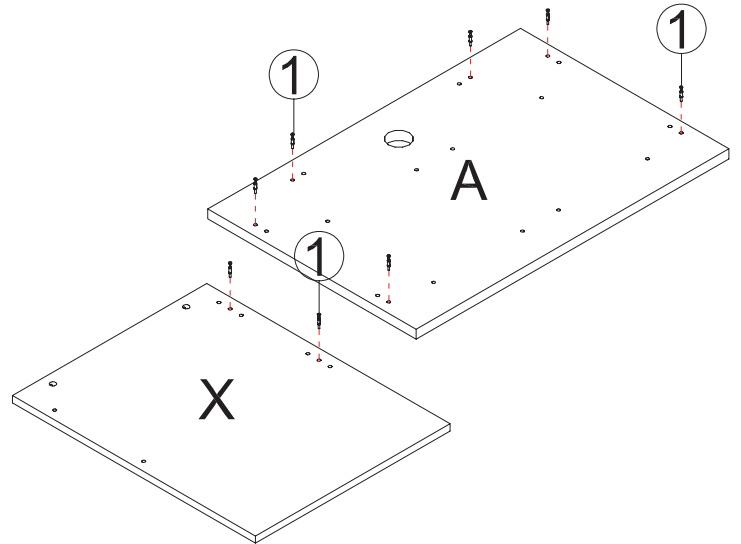
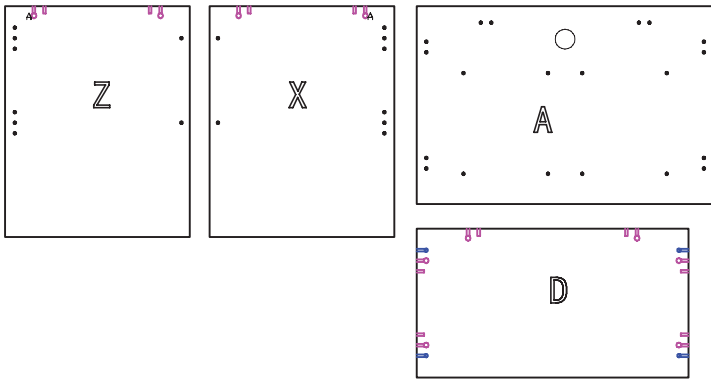
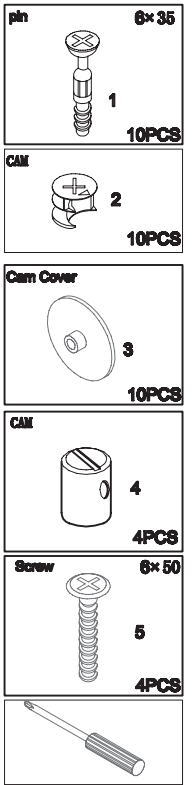
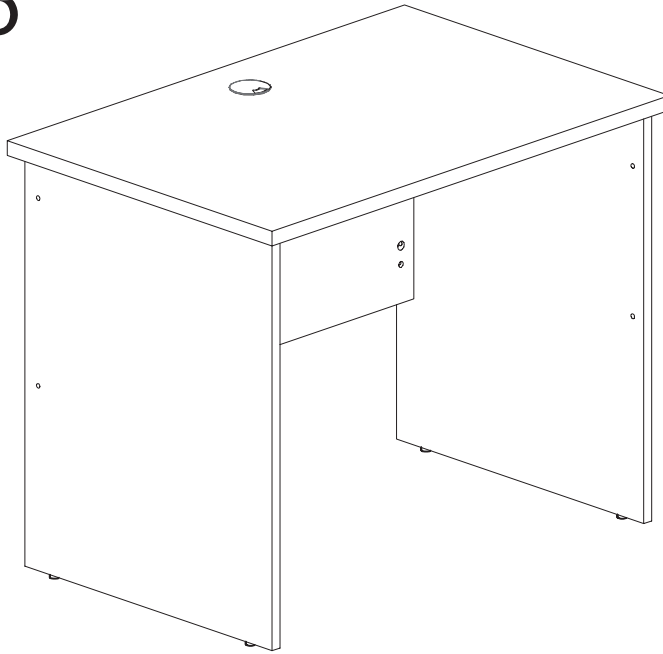
rapidline
FURNITURE FOR TODAY



ASSEMBLY INSTRUCTIONS

CDK96

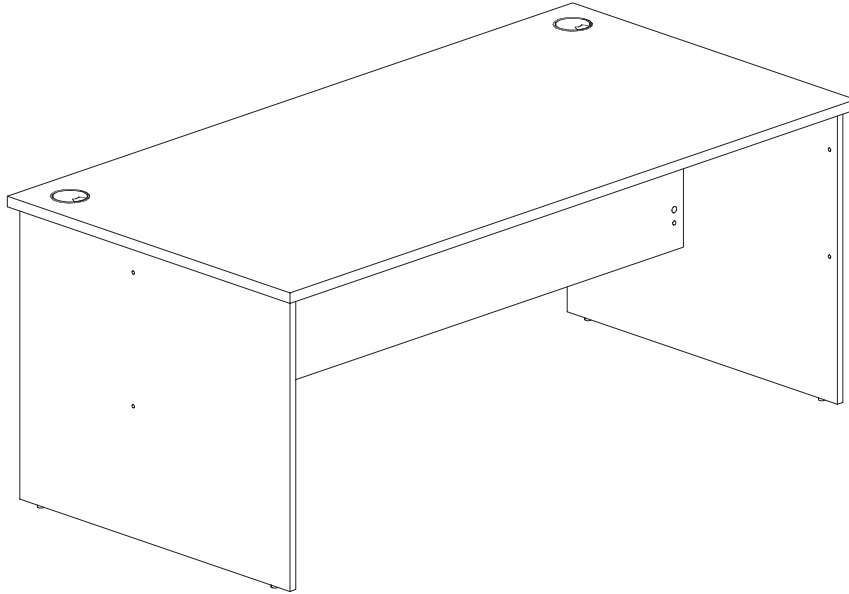
rapidline
FURNITURE FOR TODAY



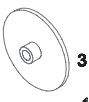


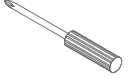


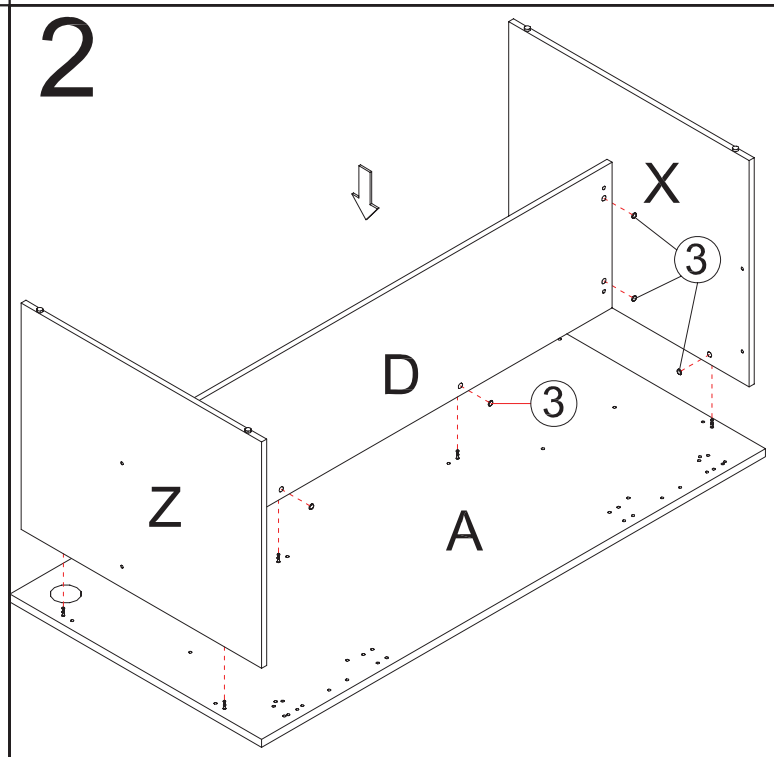
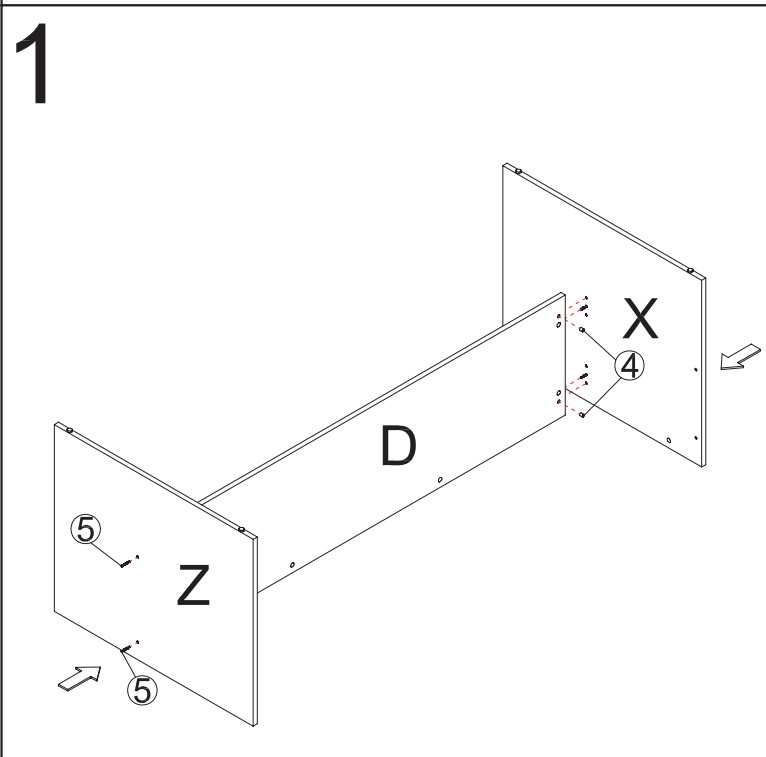
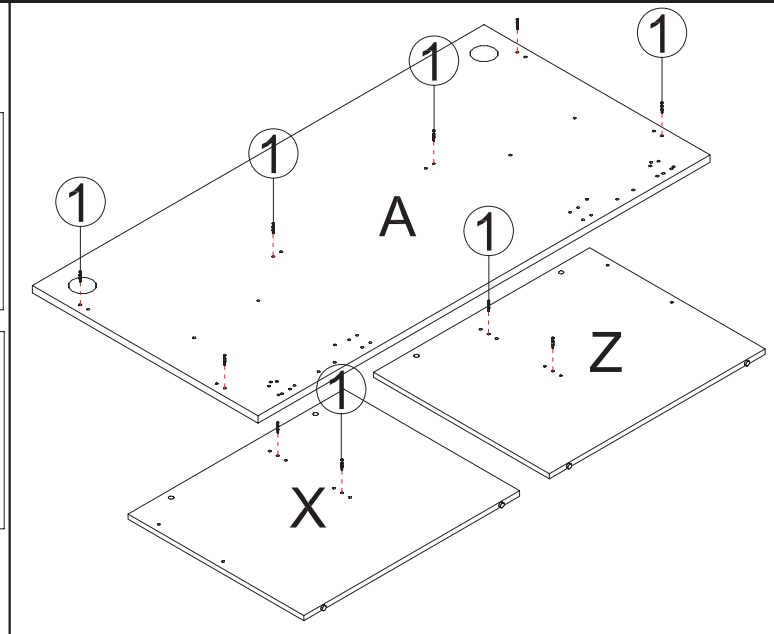
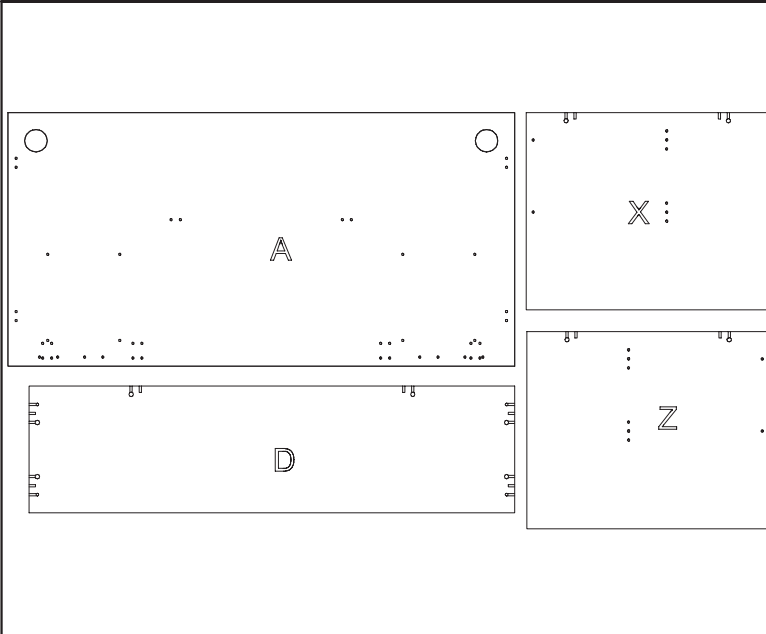
ASSEMBLY INSTRUCTIONS

CDK189

rapidline
FURNITURE FOR TODAY



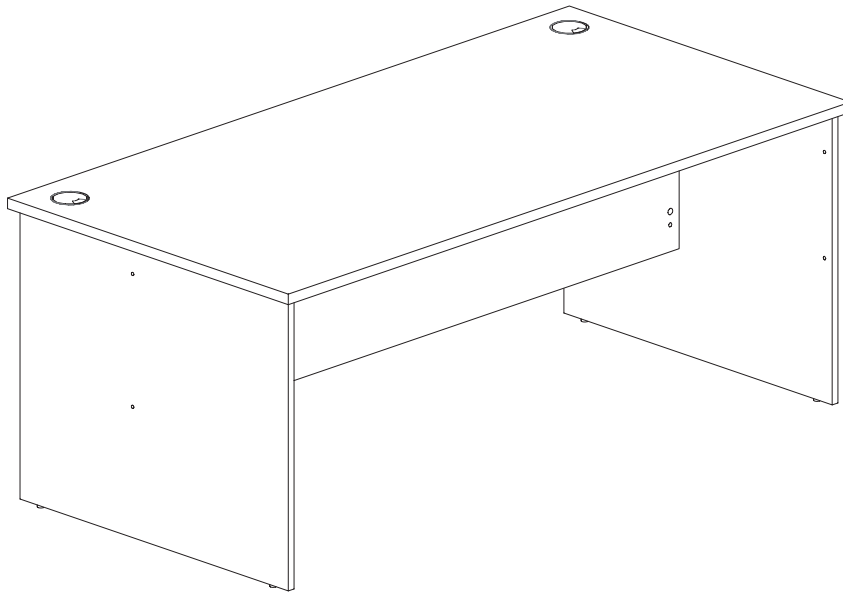
pin	6x35		1	10PCS
CAM			2	10PCS
Cam Cover			3	10PCS
CAM			4	4PCS
Screw	6x50		5	4PCS
				



ASSEMBLY INSTRUCTIONS

CDK126

rapidline
FURNITURE FOR TODAY



- pin 6x35 1 10PCS
 - CAM 2 10PCS
 - Cam Cover 3 10PCS
 - CAM 4 4PCS
 - Screw 6! A80 5 4PCS
-

