

ASSEMBLY INSTRUCTIONS:

Product Code : CSC2HD

Product Name: Rapid Worker Half Door Lockable Wall Unit

TIME REQUIRED:

35 minutes

TOOLS REQUIRED:

Screwdriver, Electric Drill, Pencil, Measuring tape/Ruler

*Tools are not included.

SKILL REQUIRED:

Easy ●●●●○ Hard

The Assembly Skill Rating is a 5-point system that shows the degree of effort needed in assembling a specific product. With 1 being easy for the average person and 5 requiring an expert. For most products, two persons are recommended.

NOTE

- As this is a commercial product, some intermediate skills may be required.
 - No pre-drill holes or markings are provided on our table or desk tops.
 - Please check you have all hardware before assembling.
- If you are missing any hardware, please contact your Rapidline reseller. Please ensure you have the name of the item, required hardware part and quantity.
 - Please retain your receipt as proof of purchase to validate your warranty.
- Assemble on a clean, flat, smooth surface such as a rug or carpet to avoid parts from being scratched.
 - Remove all wrapping materials, including staples and packing straps before you start to assemble
 - Keep all hardware parts out of reach of children.

CAUTION

- Heavy product. Do not attempt to lift or move without help
- Do not tighten screws and bolts until completely assembled.
- Do not use this product unless all bolts and screws are firmly secured and tightened.

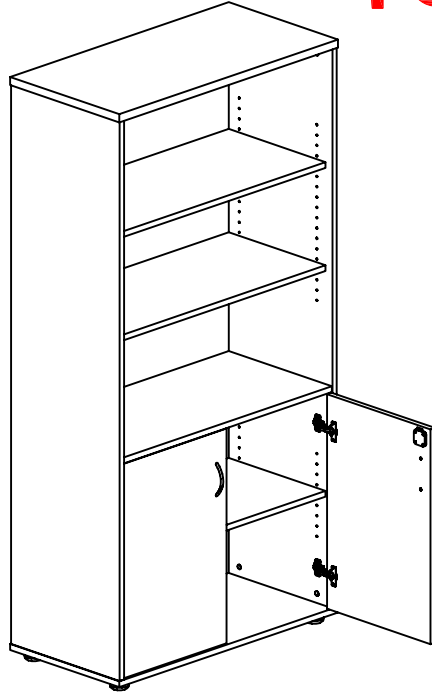
WARNING

- If parts are missing, broken, damaged or worn stop using the product until all repairs are made.
 - Failure to follow these warnings could result in serious injury.

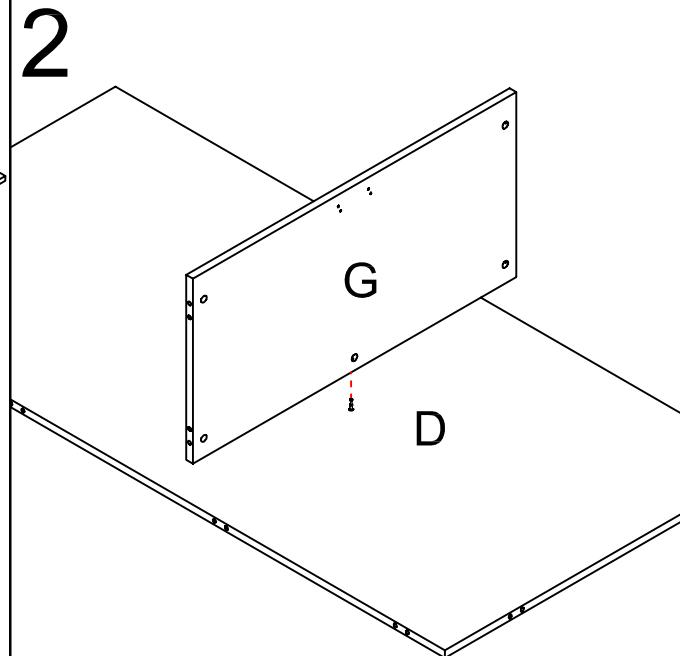
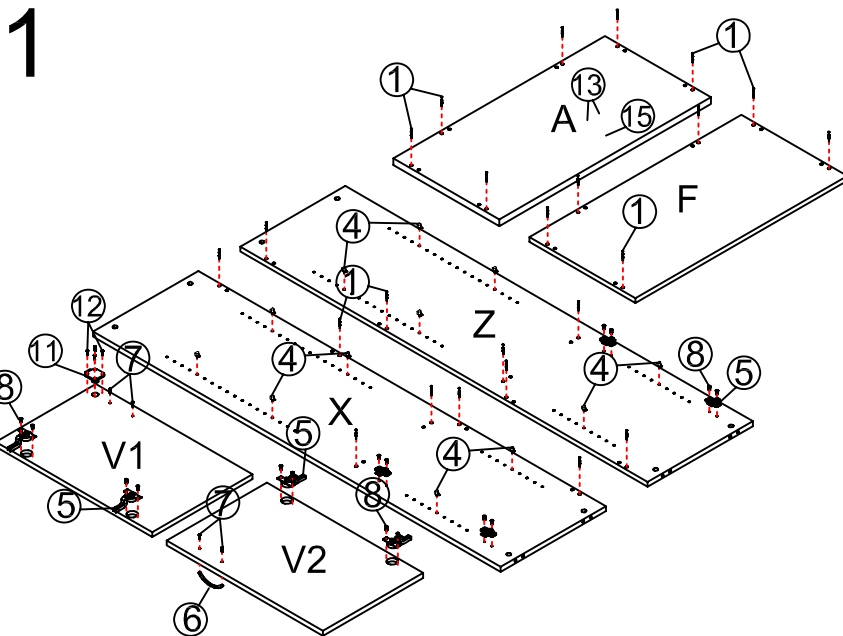
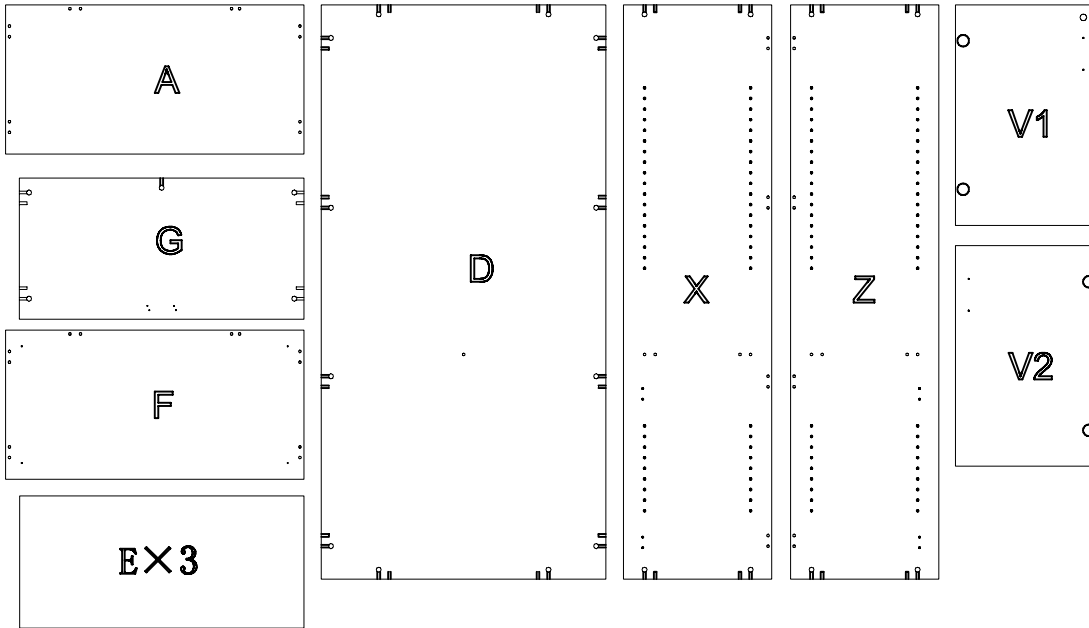
ASSEMBLY INSTRUCTIONS

CSC2HD

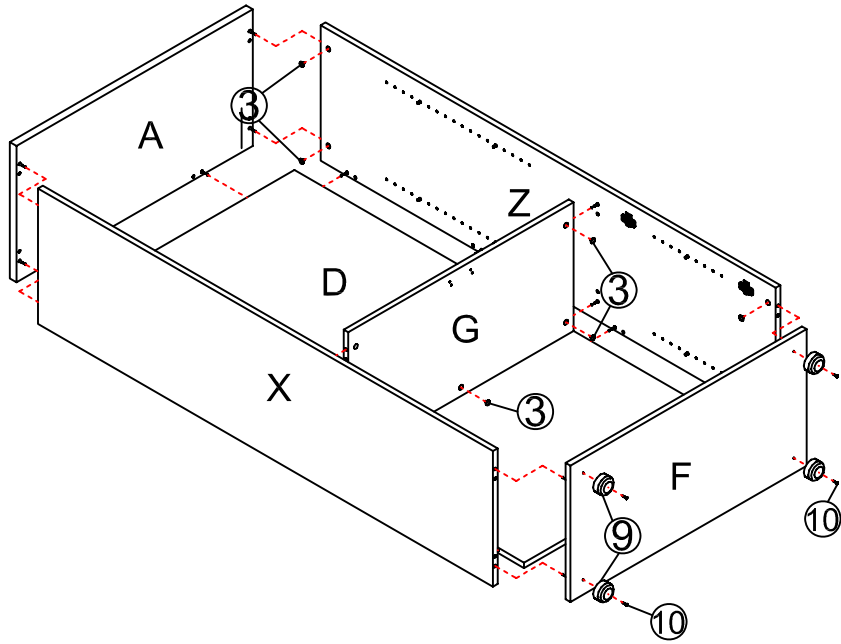
rapidline
FURNITURE FOR TODAY
2011-8-25



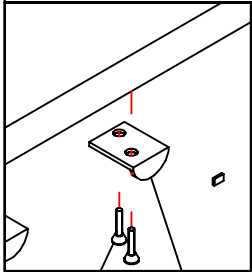
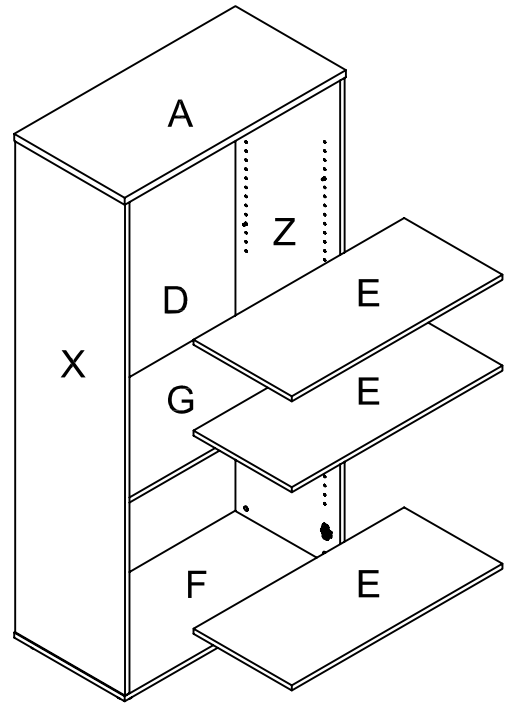
<p>pin 6x35 1 25PCS</p>	<p>CAM 2 25PCS</p>
<p>Cam Cover 3 25PCS</p>	<p>Bot Minifix 4 12PCS</p>
<p>Hinge&Mount Plate 5 4PCS</p>	<p>T-Handle 6 2PCS</p>
<p>Screw 4x22 7 4PCS</p>	<p>Screw 4x16 8 16PCS</p>
<p>CUSH-ROA 25Hxφ62 9 4PCS</p>	<p>Screw 4x30 10 4PCS</p>
<p>LOCK 11 1PCS</p>	<p>Screw 4x20 12 4PCS</p>
<p>Screw 3.5x13 13 4PCS</p>	<p>LOCK CATCH 14 2PCS</p>



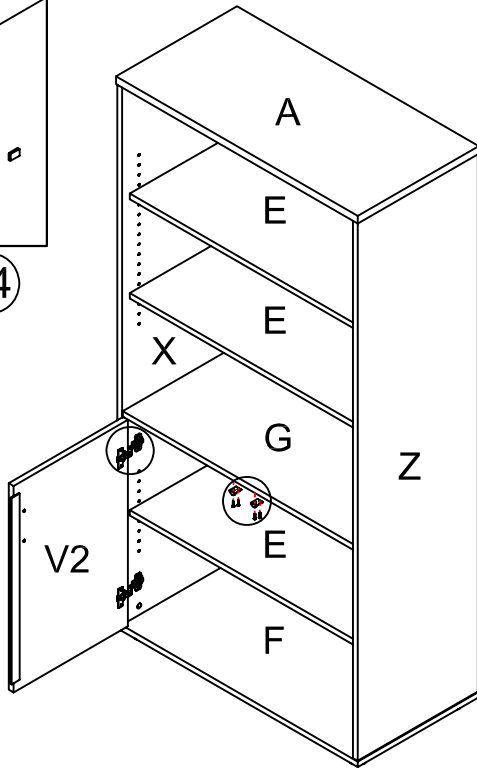
3



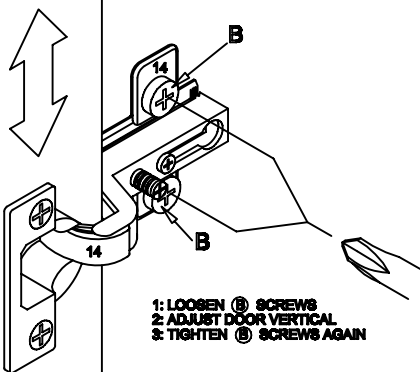
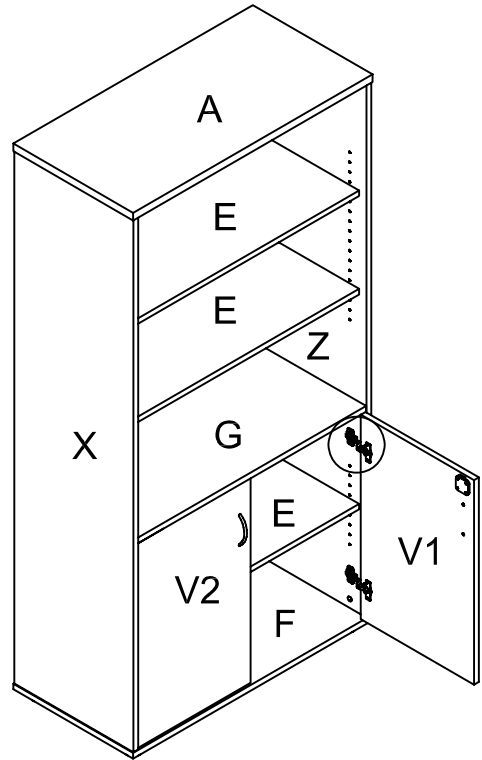
4



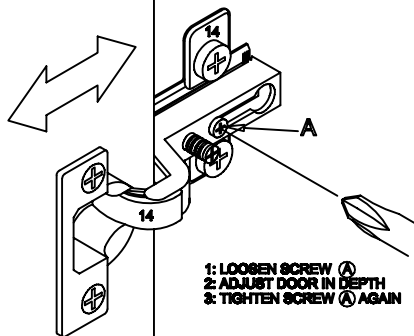
13 14



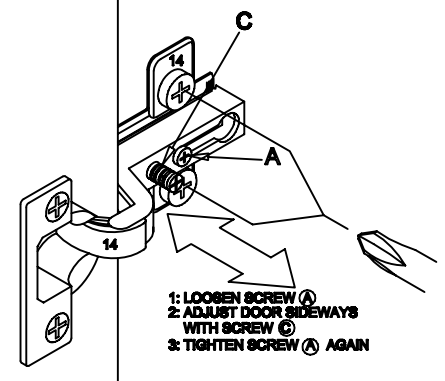
6



1: LOOSEN SCREW B
2: ADJUST DOOR VERTICAL
3: TIGHTEN SCREW B AGAIN



1: LOOSEN SCREW A
2: ADJUST DOOR IN DEPTH
3: TIGHTEN SCREW A AGAIN



1: LOOSEN SCREW A
2: ADJUST DOOR SIDWAYS
WITH SCREW C
3: TIGHTEN SCREW A AGAIN